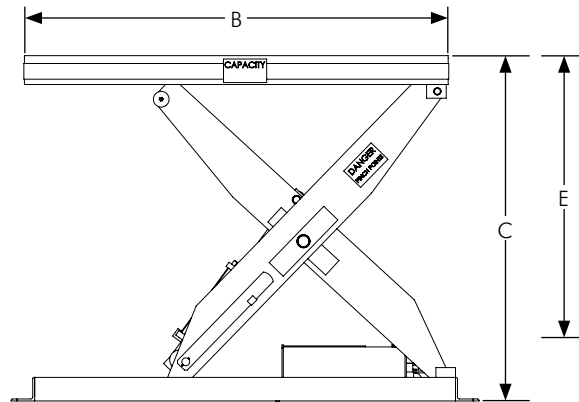
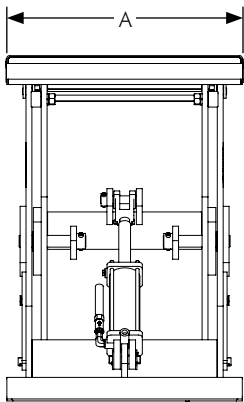


ERGONOMIC SCISSOR LIFTS



- Versatile production tool for changing line elevation or ergonomic lifting
- An economical option to decrease worker fatigue 2,000 to 6,000 lbs. standard load capacities with a variety of travels and platform sizes available
- Common applications include workstations for assembly, welding processes, heavy product manufacturing or work platforms



A = Platform Width
B = Platform Length
C = Raised Height
D = Lowered Height
E = Travel

Scissor Lift Shown in Raised Position



Scissor Lift Shown in Lowered Position

LOAD CAPACITY (lbs.)	LOWERED HEIGHT (in.) (D)	TRAVEL (in.) (E)	RAISED HEIGHT (in.) (C)	PLATFORM DIMENSIONS (A X B) (in.)		LIFTING SPEED (SECONDS)	STANDARD MOTOR (HP)	STANDARD VOLTAGE/ PHASE/HZ
				STANDARD	MAXIMUM			
36" TRAVEL								
2000	7.375	36	43.375	24 x 48	48 x 72	21	1 (Internal)	115/1/60
4000	7.375	36	43.375	24 x 48	48 x 72	42	1 (Internal)	115/1/60
24" TRAVEL								
2000	8	24	32	30 x 50	54 x 74	14	1 (Internal)	115/1/60
4000	8	24	32	30 x 50	54 x 74	28	1 (Internal)	115/1/60
6000	8	24	32	30 x 50	54 x 74	42	1 (Internal)	115/1/60
36" TRAVEL								
2000	8	36	44	30 x 54	54 x 78	21	1 (Internal)	115/1/60
4000	8	36	44	30 x 54	54 x 78	42	1 (Internal)	115/1/60
6000	8	36	44	30 x 54	54 x 78	63	1 (Internal)	115/1/60
48" TRAVEL								
2000	8	48	56	30 x 66	54 x 96	24	1 (Internal)	115/1/60
4000	8	48	56	30 x 66	54 x 96	48	1 (Internal)	115/1/60
6000	8	48	56	30 x 66	54 x 96	72	1 (Internal)	115/1/60
60" TRAVEL								
2000	10	60	70	30 x 86	54 x 108	16	3 (External)	240,460/3/60
4000	10	60	70	30 x 86	54 x 108	32	3 (External)	240,460/3/60
6000	10	60	70	30 x 86	54 x 108	48	3 (External)	240,460/3/60
72" TRAVEL								
2000	10	72	82	30 x 102	54 x 120	16	3 (External)	240,460/3/60
4000	10	72	82	30 x 102	54 x 120	32	3 (External)	240,460/3/60
6000	12	72	84	30 x 102	54 x 120	48	3 (External)	240,460/3/60