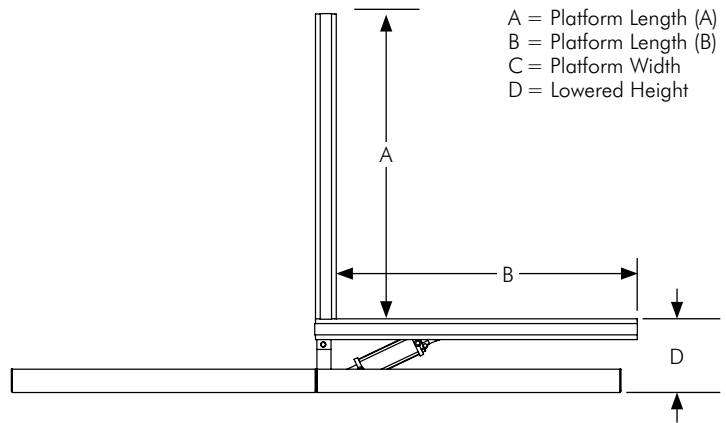
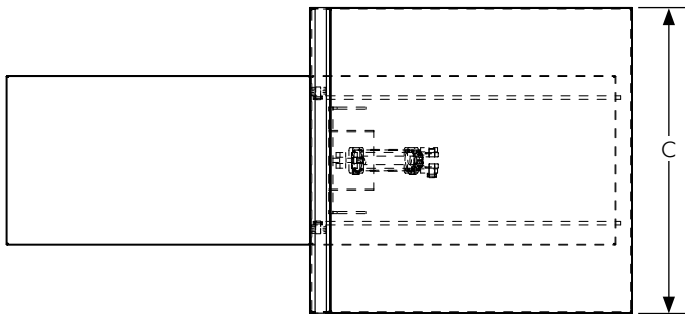




## HYDRAULIC UPENDERS

- Utilized to reposition large and odd shaped objects such as rolls or coils
- V-Shaped cradles or conveyor can be mounted to the platform
- Common applications include pallet inverting, roll handling and coil palletizing



A = Platform Length (A)  
 B = Platform Length (B)  
 C = Platform Width  
 D = Lowered Height

LOAD CAPACITY (lbs.)	LOWERED HEIGHT (in.)(D)	TRAVEL	PLATFORM DIMENSIONS (in.)		MAXIMUM PLATFORM (W X L) (in.) (C)	LIFT SPEED (SECONDS)	STANDARD MOTOR (HP)	STANDARD VOLTAGE/ PHASE/HZ
			PLATFORM A (W X L) (A)	PLATFORM B (W X L) (B)				
<b>90° TILT</b>								
2000	12	90°	48 x 48	60 x 96	60 x 72	14	3 (External)	230/1/60
4000	12	90°	48 x 48	60 x 96	60 x 72	28	3 (External)	230/1/60
6000	12	90°	48 x 48	60 x 96	60 x 72	42	3 (External)	230/1/60
8000	14	90°	48 x 48	60 x 96	60 x 72	48	3 (External)	230/1/60