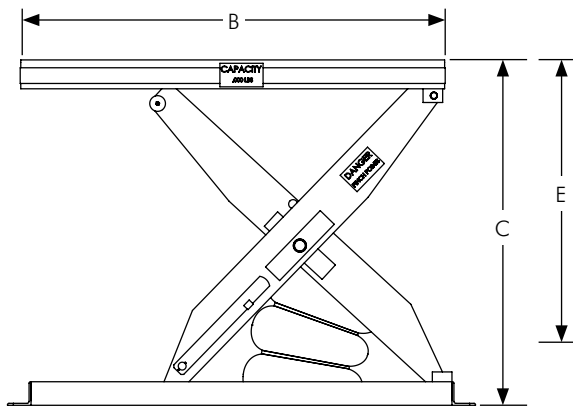
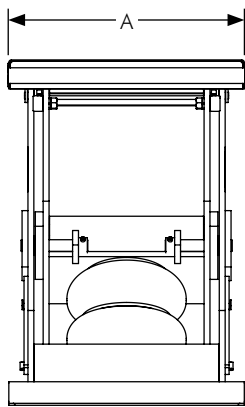


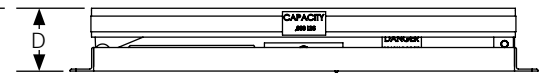


## PNEUMATIC SCISSOR LIFTS

- Quiet air bag lift mechanism
- No electric/hydraulics needed for lifting
- Ideal for applications where hydraulics are not preferred
- Common applications include workstations for assembly, welding processes, heavy product manufacturing or work platforms



A = Platform Width  
 B = Platform Length  
 C = Raised Height  
 D = Lowered Height  
 E = Travel



Scissor Lift Shown in Raised Position

Scissor Lift Shown in Lowered Position

LOAD CAPACITY (lbs.)	LOWERED HEIGHT (in.) (D)	TRAVEL (in.) (E)	RAISED HEIGHT (in.) (C)	PLATFORM DIMENSIONS (A X B) (in.)	
				STANDARD	MAXIMUM
<b>20" TRAVEL</b>					
2000	8	20	28	36 x 36	60 x 42
<b>24" TRAVEL</b>					
2000	8	24	32	36 x 48	60 x 54
3000	8	24	32	36 x 48	60 x 54
4000	8	24	32	48 x 48	60 x 54
5000	8	24	32	48 x 48	60 x 54
<b>36" TRAVEL</b>					
2000	10	36	46	36 x 60	60 x 66
3000	10	36	46	36 x 60	60 x 66

Not intended for applications requiring precise lift positioning