

PNEUMATIC SCISSOR LIFT QUOTATION WORKSHEET

Company _____ Date _____
 Contact _____ Desired Delivery _____
 Phone No. _____ Contact Email _____ State _____

APPLICATION INFORMATION

How is lift to be used? _____

Equipment mounted to platform: _____

Product description: _____

Size: _____ W x _____ L x _____ H, WT = _____ LB

Scissor Lift Information:

Quantity: _____ Capacity: _____ Platform Size: _____ W x _____ L

Height Info.: Raised _____
 Lowered _____
 Travel _____

Cycle Info.: Cycles/Hour _____
 Raise Time _____ sec.

Other: _____

SPECIFICATIONS

Controls:

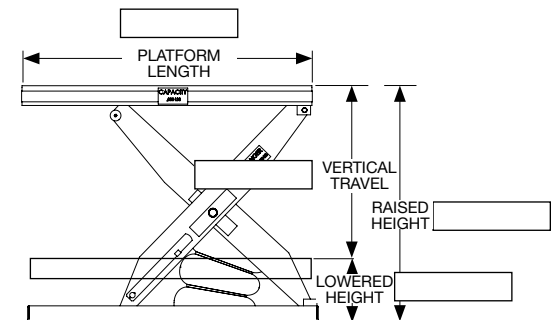
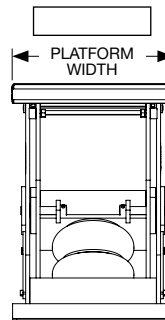
- Foot Valve
- Hand Valve
- None
- Air Filter/Regulator

Plant Air Required:

- 80-100 PSI @ 15 SCFM
- Other _____

Options:

- Skirting
- Regreasable
- Pit Mount
- Portable



SCISSOR LIFT SHOWN IN RAISED POSITION